

ORACLE®

ORACLE®



Oracle Database on OpenVMS and Oracle Rdb Product Family Update

Kevin Duffy

Senior Director, Software Development

Oracle Rdb and Oracle Database on OpenVMS
Engineering

October, 2017



Safe Harbor Statement

The following is intended to outline our general product direction. It is intended for information purposes only, and may not be incorporated into any contract. It is not a commitment to deliver any material, code, or functionality, and should not be relied upon in making purchasing decisions. The development, release, and timing of any features or functionality described for Oracle's products remains at the sole discretion of Oracle.

Agenda

- Working with VSI and HPE
- Customer Focus
- Oracle Database on VMS Update
 - Support Dates
 - 11g , 10g
 - What's Under Development
 - Roadmap
- Oracle Rdb and CODASYL DBMS Update
 - Support Dates
 - Recent Releases
 - What's Under Development
 - Roadmap

Working with VSI and HPE

- Oracle remains in close contact with both VSI and HPE
 - In resolution of customer issues
 - Oracle OpenVMS dependencies
 - Development Projects (e.g. Java 1.8)
 - Customer Events
 - Monthly conference calls with HPE
 - As needed communication with VSI (often weekly)
- Participation in EMEA HPUG events, Paris, December, 2017
- Participation in the Connect Conferences – e.g. Hannover, April, 2017
- Monthly meetings with HPE Japan
- Efforts to strengthen working relationships between Oracle/VSI in progress

Oracle on OpenVMS and Oracle Rdb Marketing Focus

- Focus on meeting our customers' needs
- [Rdb Web page](#), Rdb Web Journal, MetaLink, OTN
- Rdb management personal customer visits /meetings
- Events
 - HPE and VSI Events
 - OpenVMS SIG Groups
- **Partner Events (2017)**
 - Swedish OpenVMS Sig, March 22
 - Connect Deutschland, April 25-27
 - Connect OpenVMS Boot Camp, September 24-27
 - French OpenVMS Sig, December, 2017
- **Oracle Technical Forums (2017)**
 - Nashua, NH, USA, September 28-29
 - Stockholm, Sweden, October 9-10
 - Vienna, Austria, October 12-13
 - London, England, October 16-17
 - Paris, France, October 19-20
 - Utrecht, Netherlands, October 23-24
 - Redwood Shores, USA, November 8-9
 - Sydney, Australia , December 4-5

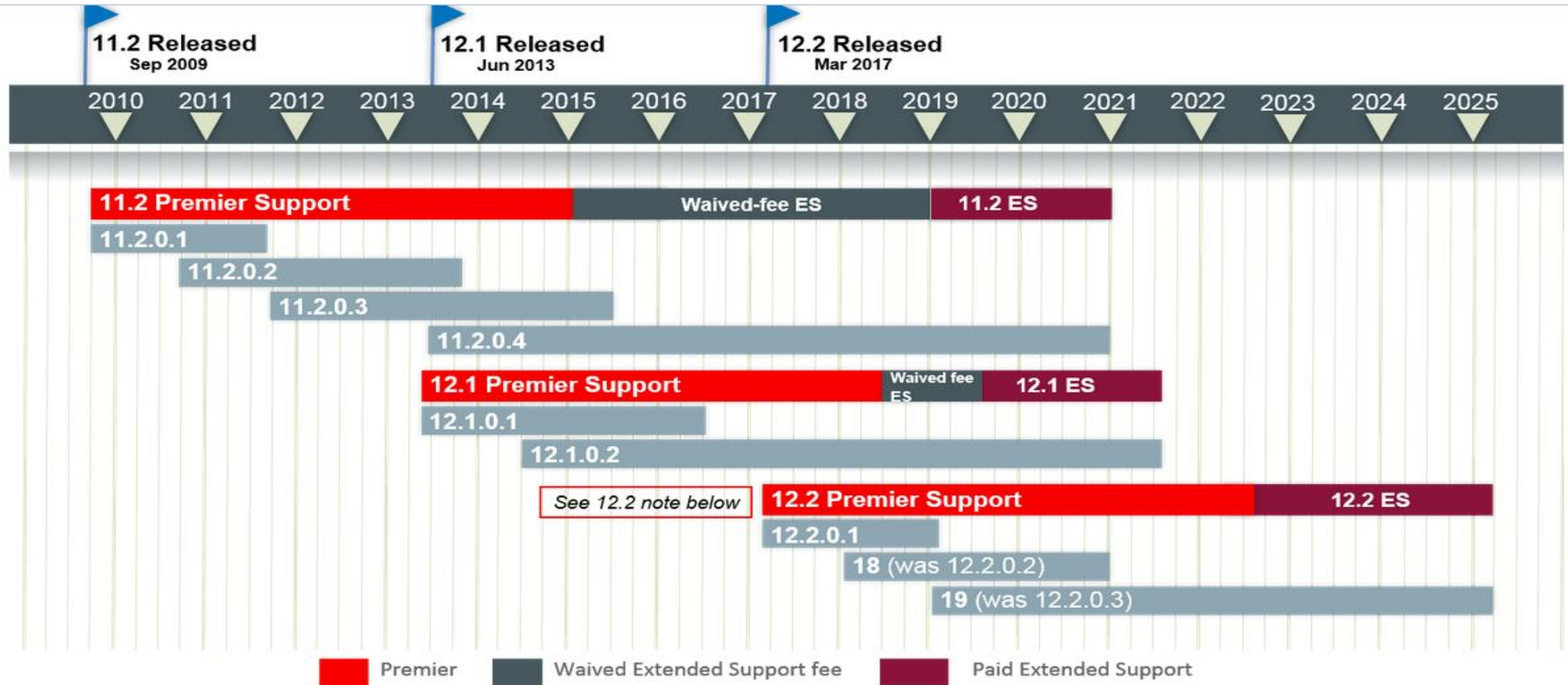
Oracle's Lifetime Support Policy

- **Oracle Premier Support** provides customers with maintenance and support of Oracle software on Itanium servers for five years from the general availability date of the software release.
- **Oracle Extended Support** provides customers with an extra three years of support for specific Oracle releases for an additional fee. Customers benefit from the same quality of service received with Oracle Premier Support, with the security of knowing they can migrate their software to a new platform when the time is right.
- **Oracle Sustaining Support** customers will receive technical support for as long as they operate their Itanium-based systems—including access to online support tools, knowledge bases, pre-existing fixes and assistance from technical support experts.
- [Oracle Lifetime Support](#)

Oracle Database 10gR2 Support Dates

Integrity Platforms	
Platform	Additional Extended Support: S1 Fixes Only
HP OpenVMS on Integrity	August 2013 – July 2017
HP OpenVMS on Alpha	August 2013 – July 2015
HP-UX	August 2013 – Dec 2015
Linux Integrity	August 2013 – Dec 2015
Windows Integrity	August 2013 – Dec 2015

Oracle 11g & 12c Support Dates



Oracle 11g OpenVMS Patch Set Updates (PSUs)

- 11.2.0.4.170718DBPSU – July, 2017 , next will be October, 2017
- 11.2.0.4.170418DBPSU – April, 2017
- 11.2.0.4.161018DBPSU - October, 2016
- 11.2.0.4.160719DBPSU - July, 2016
- 11.2.0.4.10 - April, 2016
- 11.2.0.4.9 - January, 2016
- 11.2.0.4.8 - October, 2015
- 11.2.0.4.7 - July, 2015
 - Released on other platforms July, 2015

11.2.0.4.170718DBPSU on MOS

Patch Details

Patch 25869727: DATABASE PATCH SET UPDATE 11.2.0.4.170718

Last Updated Jul 18, 2017 11:45 AM (2+ months ago)

Product Oracle Database - Enterprise Edition

[\(More...\)](#)

Release Oracle 11.2.0.4.0

Platform HP OpenVMS Itanium

Size 80.5 MB

Download Access Software

Classification Superseded

Patch Tag

This Patch has been Superseded.

Reason

Patch 26609445 is a super set of patch 25869727

Note

The most recent replacement for this patch is 26609445.

Replacement Options (Patches or Patchsets known to Include or Supersede this Patch)

[26609445](#)

DATABASE PATCH SET UPDATE 11.2.0.4.170814

Patch

Release Oracle 11.2.0.4.0

Platform

Language American English

[Read Me](#)

[Download](#)

[Add to Plan](#)

[Analyze with OPatch...](#)

All-time Downloads **10**

[View Trends](#)



Discussion in [community.oracle.com](#)

[Reply to Discussion](#)

Keshava-Oracle

11g and 10g Certifications on VSI OpenVMS Versions (cont.)

- Itanium (i4 and i2)
 - 8.4-2L1
 - 8.4-2
 - 8.4-1H1
- Alpha (Oracle Rdb Only)
 - 8.4-2L1
 - 8.4-2L2 (optimized for EV56 and higher)
 - Certification completed

Itanium OpenVMS Certification Matrix (Doc ID 377470.1)

Support Matrix for hp ITANIUM OpenVMS versions and Oracle Server releases

~~~~~

Last Update: 13-June-2016  
 Updated by: Johan Buijser

ITANIUM/OpenVMS (Refer to [Note:377480.1](#) for recommended OpenVMS ECO levels)

| 8.2-1      | 8.3          | 8.3-1H1    | 8.4          | 8.4-1H1      | 8.4-2        | 8.4-2L1      |
|------------|--------------|------------|--------------|--------------|--------------|--------------|
|            |              |            | **see Note A | **see Note B | **see Note B | **see Note B |
|            |              |            | 11.2.0.4.0   | 11.2.0.4.0   | 11.2.0.4.0   | 11.2.0.4.0   |
|            |              |            | **see Note C |              |              |              |
|            |              |            | 10.2.0.5.0   | 10.2.0.5.0   | 10.2.0.5.0   | 10.2.0.5.0   |
|            |              |            | **see Note D |              |              |              |
| 10.2.0.4.0 | 10.2.0.4.0   | 10.2.0.4.0 | 10.2.0.4.0   |              |              |              |
| 10.2.0.2.0 | 10.2.0.2.0   | 10.2.0.2.0 |              |              |              |              |
|            | **see Note E |            |              |              |              |              |

(For hp ALPHA OpenVMS Certification matrix - see [Note:62150.1](#))



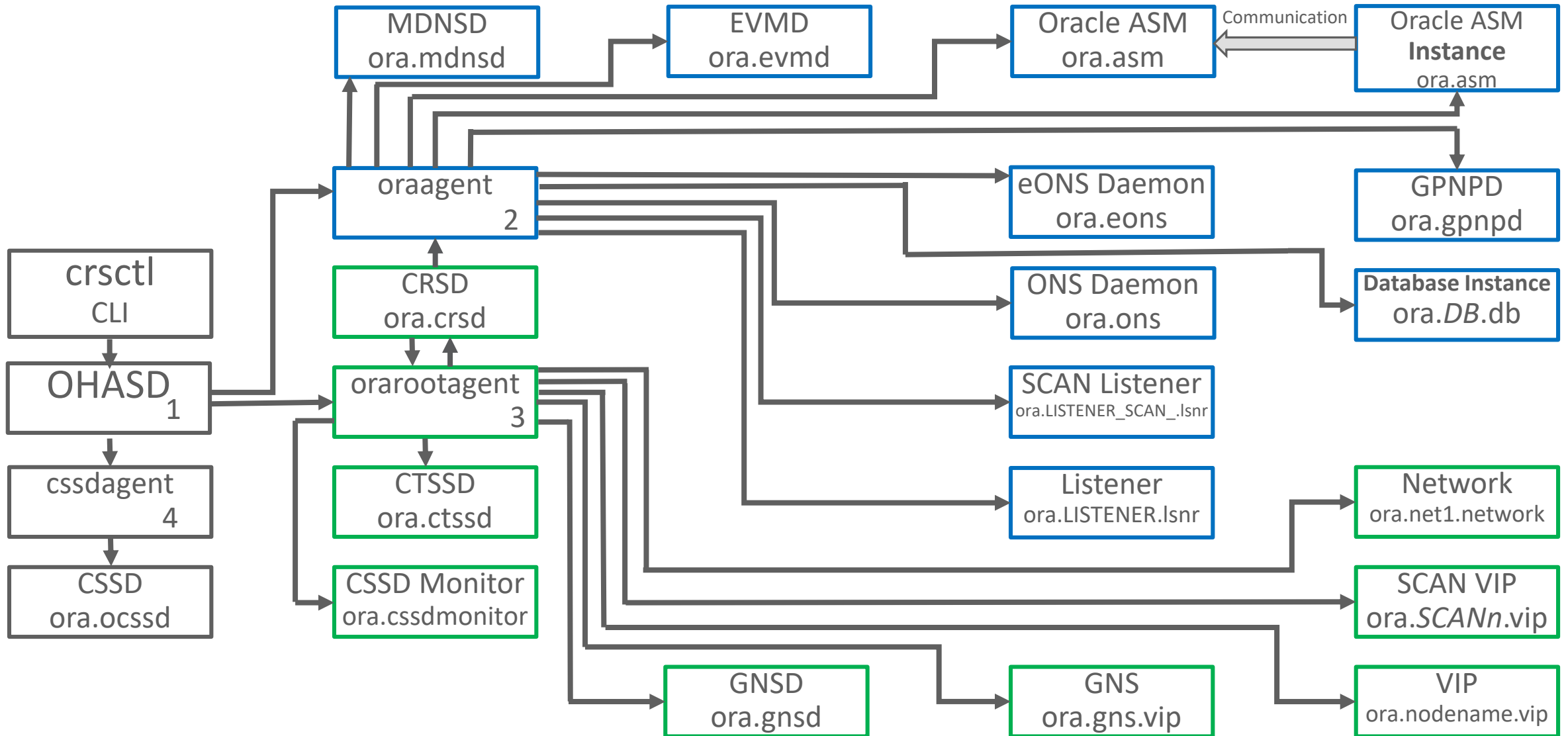
# Alpha OpenVMS Certification Matrix (Doc ID 62150.1)

ALPHA/OpenVMS (Refer to [Note:170199.1](#) for recommended OpenVMS ECO levels)

| 7.1 | 7.2 | 7.3           | 8.2           | 8.3        | 8.4           |
|-----|-----|---------------|---------------|------------|---------------|
|     |     | ** see Note L | ** see Note M |            |               |
|     |     |               |               |            | 10.2.0.5.0    |
|     |     |               |               |            | ** see Note A |
|     |     |               | 10.2.0.4.0    | 10.2.0.4.0 | 10.2.0.4.0    |
|     |     |               | 10.2.0.2.0    | 10.2.0.2.0 |               |
|     |     |               | ** see Note B |            |               |
|     |     | 10.1.0.5.0    | 10.1.0.5.0    | 10.1.0.5.0 |               |
|     |     | 10.1.0.3.0    | 10.1.0.3.0    | 10.1.0.3.0 |               |
|     |     |               | ** see Note C |            |               |

# Oracle 11g on OpenVMS – Current Development

- RAC
  - Code merge phase completed
  - Run-time phase underway
    - Issue:
      - Multicast Domain Name server which come from the Apple/Bonjour
      - Routing socket CRTL support needed from within the TCP/IP package
      - Multicasting capability needed through the tcpip\$interface APIs
        - Berkley BSD or Netlink API





# What Oracle 11g Client Kit Provide to OpenVMS

- Client/Server Interoperability Support to future database releases
- Standard Supported client tools (next slides)
- Upgraded Security Functionality
- Gives you the ability to continue to run your application on VMS while connecting to the database server platform of your choice (either to a VMS server or to other platforms supported by Oracle).

# Client / Server / Interoperability Support Matrix For Different Oracle Versions [ID 207303.1]

| Client Version       | Server Version        |                   |                   |                   |                   |                   |                   |
|----------------------|-----------------------|-------------------|-------------------|-------------------|-------------------|-------------------|-------------------|
|                      | 12.2.0 <sup>#10</sup> | 12.1.0            | 11.2.0            | 11.1.0            | 10.2.0            | 10.1.0            | 9.2.0             |
| 12.2.0               | Yes                   | Yes               | Yes               | No                | No                | No <sup>#3</sup>  | No <sup>#3</sup>  |
| 12.1.0               | Yes                   | Yes               | Yes               | Was               | MDS <sup>#7</sup> | No <sup>#3</sup>  | No <sup>#3</sup>  |
| 11.2.0               | Yes <sup>#9</sup>     | Yes               | Yes               | Was               | MDS <sup>#7</sup> | No                | Was <sup>#5</sup> |
| 11.1.0               | No                    | Was               | Was               | Was               | Was <sup>#7</sup> | Was <sup>#6</sup> | Was <sup>#5</sup> |
| 10.2.0               | No                    | MDS <sup>#7</sup> | MDS <sup>#7</sup> | Was <sup>#7</sup> | MDS               | Was               | Was <sup>#5</sup> |
| 10.1.0 <sup>#4</sup> | No                    | No                | Was <sup>#6</sup> | Was <sup>#6</sup> | Was               | Was               | Was               |
| 9.2.0                | No                    | No <sup>#8</sup>  | Was <sup>#5</sup> | Was <sup>#5</sup> | Was <sup>#5</sup> | Was               | Was               |

## Key:

|                   |                                                                                                                                                                                                                      |
|-------------------|----------------------------------------------------------------------------------------------------------------------------------------------------------------------------------------------------------------------|
| <b>Yes</b>        | Supported                                                                                                                                                                                                            |
| <b>ES</b>         | Supported but fixes only possible for customers with <a href="#">Extended Support</a> .                                                                                                                              |
| <b>LES or MDS</b> | Supported but fixes only possible for customer with a valid Limited Extended Support or Market-Driven Support contract respectively.                                                                                 |
| <b>Was</b>        | Was a supported combination but one of the releases is no longer covered by any of Premier Support, Primary Error Correct support, Extended Support, nor Extended Maintenance Support. Fixes are no longer possible. |
| <b>No</b>         | Has never been Supported                                                                                                                                                                                             |

# 11g Client Kit Contents

- Oracle SQLJ
- Oracle Database Utilities
- Oracle Java Client
- SQL\*Plus
- Oracle JDBC/THIN Interfaces
- Oracle Internet Directory Client
- Oracle Call Interface (OCI)
- Oracle Programmer
- Oracle XML Development Kit
- Oracle Advanced Security
- Enterprise Manager Minimal Integration
- OLAP Analytic Workspace Manager and Worksheet
- Oracle Net

## 11g Client Kit Contents (cont.)

- Oracle Connection Manager
- Oracle Net Listener
- Oracle Multimedia Client Option
- Oracle ODBC Driver
- Oracle Clusterware High Availability API
- Oracle SQL Developer
- Oracle Scheduler Agent
- Oracle Services For Microsoft Transaction Server
- Oracle Administration Assistant for Windows
- Oracle Counters for Windows Performance Monitor
- Oracle Objects for OLE
- Oracle Provider for OLE DB
- Oracle Data Provider for .NET
- Oracle Providers for ASP.NET

# Oracle Rdb Update

# Rdb Product Family Lifetime Support Dates

## Oracle Rdb and Oracle CODASYL Database Releases

| Release | GA Date  | Premier Support Ends | Extended Support Ends | Sustaining Support Ends |
|---------|----------|----------------------|-----------------------|-------------------------|
| 7.0     | Oct 1996 | Aug 2007             | Aug 2009              | Indefinite              |
| 7.1     | Jul 2001 | Dec 2007             | Dec 2010              | Indefinite              |
| 7.2     | Jan 2006 | Jul 2015             | Jul 2017              | Indefinite              |
| 7.3     | Mar 2011 | Sep 2018             | Sep 2021              | Indefinite              |

See: <http://www.oracle.com/us/support/library/lifetime-support-technology-069183.pdf>

# Oracle Rdb Certifications

## Oracle Rdb V7.3

| Release | Release Date | Version  | Alpha |       |                                | Itanium               |                         |           | <a href="#">Update</a> |
|---------|--------------|----------|-------|-------|--------------------------------|-----------------------|-------------------------|-----------|------------------------|
|         |              |          | Min   | Max   | Kits <sup>1</sup> <sub>-</sub> | Min                   | Max                     | Processor |                        |
| 7.3.2.1 | Mar 2017     | V7.3-210 | 8.4   | 8.4-x | <a href="#">.1</a>             | <a href="#">8.4</a>   | <a href="#">8.4-2L1</a> | i4        |                        |
| 7.3.2.0 | Mar 2016     | V7.3-200 | 8.4   | 8.4-x | <a href="#">.1</a>             | <a href="#">8.4</a>   | <a href="#">8.4-2L1</a> | i4        | 3                      |
| 7.3.1.3 | Oct 2015     | V7.3-130 | 8.3   | 8.4-x | <a href="#">.1</a>             | <a href="#">8.3</a>   | <a href="#">8.4-2L1</a> | i4        | 1                      |
| 7.3.1.2 | Oct 2014     | V7.3-120 | 8.3   | 8.4-x | <a href="#">.1</a>             | <a href="#">8.3</a>   | <a href="#">8.4-1H1</a> | Tukwila   | 2                      |
| 7.3.1.1 | Feb 2014     | V7.3-110 | 8.3   | 8.4-x | <a href="#">.1</a>             | <a href="#">8.2-1</a> | <a href="#">8.4</a>     | Tukwila   | 1                      |
| 7.3.1.0 | Sep 2013     | V7.3-100 | 8.3   | 8.4-x | <a href="#">.1</a>             | <a href="#">8.2-1</a> | <a href="#">8.4</a>     | Tukwila   | None                   |

**Rdb V7.3 is in premier support.**

<sup>1</sup>The ALPHA version is optimized for EV56 or later processors and shown as V7.3-nn1. Older, pre-EV56 processors are not supported.

Source: Comprehensive Rdb Versions and Compatibility Matrix (MOS Doc ID 66729.1)

# Oracle Rdb Certifications (cont.)

## *Update Kits*

Update kits contain urgent patches. Each contains the patches from any earlier ones. They are not full kits and must be applied on top of the release they are for. The kits contain the updates for all platforms, so the Itanium patch will also work for Alpha.

Update 2 for Rdb 7.3.2.1 Alpha: [26820751](#)

Update 2 for Rdb 7.3.2.1 I64: [26820763](#)

Update 1 for Rdb 7.3.2.1 Alpha: [26273393](#)

Update 1 for Rdb 7.3.2.1 I64: [26273409](#)

**Source: Comprehensive Rdb Versions and Compatibility Matrix (MOS Doc ID 66729.1)**



# Oracle Rdb Certifications (cont.)

## Oracle Rdb V7.2

| Release | Release Date | Version  | Alpha |       |                         | Itanium               |                         |           | <a href="#">Update</a> |
|---------|--------------|----------|-------|-------|-------------------------|-----------------------|-------------------------|-----------|------------------------|
|         |              |          | Min   | Max   | Kits <u>1</u>           | Min                   | Max                     | Processor |                        |
| 7.2.5.8 | May 2017     | V7.2-580 | 8.2   | 8.4-x | <a href="#">.0 / .1</a> | <a href="#">8.2-1</a> | <a href="#">8.4-1H1</a> | i2        | None                   |
| 7.2.5.7 | Aug 2015     | V7.2-570 | 8.2   | 8.4-x | <a href="#">.0 / .1</a> | <a href="#">8.2-1</a> | <a href="#">8.4-1H1</a> | Tukwila   | None                   |
| 7.2.5.6 | Apr 2015     | V7.2-560 | 8.2   | 8.4-x | <a href="#">.0 / .1</a> | <a href="#">8.2-1</a> | <a href="#">8.4-1H1</a> | Tukwila   | None                   |
| 7.2.5.5 | Jun 2014     | V7.2-550 | 8.2   | 8.4-x | <a href="#">.0 / .1</a> | <a href="#">8.2-1</a> | <a href="#">8.4</a>     | Tukwila   | None                   |
| 7.2.5.4 | Feb 2014     | V7.2-540 | 8.2   | 8.4-x | <a href="#">.0 / .1</a> | <a href="#">8.2-1</a> | <a href="#">8.4</a>     | Tukwila   | None                   |
| 7.2.5.3 | July 2013    | V7.2-530 | 8.2   | 8.4-x | <a href="#">.0 / .1</a> | <a href="#">8.2-1</a> | <a href="#">8.4</a>     | Tukwila   | None                   |

Source: Comprehensive Rdb Versions and Compatibility Matrix (MOS Doc ID 66729.1)

# Oracle CODASYL DBMS Certifications

## Oracle CODASYL DBMS V7.3

| Release                                                                                                                                              | Release Date | Version | Alpha |         |                             | Itanium             |                         |           | <a href="#">Update</a> |
|------------------------------------------------------------------------------------------------------------------------------------------------------|--------------|---------|-------|---------|-----------------------------|---------------------|-------------------------|-----------|------------------------|
|                                                                                                                                                      |              |         | Min   | Max     | Kits <u>1</u>               | Min                 | Max                     | Processor |                        |
| 7.3.1                                                                                                                                                | Nov 2013     | V7.3-10 | 8.3   | 8.4-2L1 | <a href="#">8.3/8.4-2L1</a> | <a href="#">8.3</a> | <a href="#">8.4-2L1</a> | i4        |                        |
| <div style="border: 1px solid black; background-color: #ffffcc; padding: 5px; display: inline-block;"> <b>DBMS V7.3 is in premier support</b> </div> |              |         |       |         |                             |                     |                         |           |                        |

Source: Comprehensive Rdb Versions and Compatibility Matrix (MOS Doc ID 66767.1)

# Rdb Product Family Releases Over the Past 2 Years

- **Rdb 7.3.2.1, Update 2, September, 2017**
- **Oracle JDBC for Rdb 7.3.5, August, 2017**
- **Rdb Connectivity Management, 7.3.2.0, August, 2017**
- **Rdb 7.3.2.1, Update 1, June, 2017**
- **Rdb 7.2.5.8, May, 2017**
- **Oracle Rdb ODBC 3.3.2.5 , April, 2017**
- **Rdb 7.3.2.1, March , 2017**
- **SQL/Services 7.3.2.3, March, 2017**
- **Rdb 7.3.2, Update 4, March, 2017**
- **Rdb 7.3.2, Update 3, November, 2016**
- **Rdb 7.3.2, Update 2, September, 2016**
- **RMU Reference Manual, September, 2016**
- **SQL Reference Manual, September, 2016**
- **Rdb 7.3.2, Update 1, May, 2016**
- **SQL/Services 7.3.2.2, April, 2016**
- **Rdb 7.3.2, March, 2016**
- **Oracle JDBC for Rdb 7.3.4.1, March, 2016**
- **SQL/Services 7.3.2.1, December, 2015**
- **Oracle Rdb Extension for SQL Developer 7.3.2.0 December, 2015**
- **Rdb 7.3.1.3, Update 1, October, 2015**
- **Rdb7.3.1.3, September, 2015**

## Rdb 7.2.5.8, May, 2017

- Download from My Oracle Support
  - Patch 26167807 for Itanium
  - Patch 26167817 for Alpha
- Problems fixed in this release include::
  - Unexpected Alignment Faults When Converting Floating Values to Text
  - Unexpected SQL Bugchecks When the Logical RDM\$BIND\_KODA\_DEBUG is Defined
  - Unexpected Bugcheck After an Exception is Reported Inserting LIST OF BYTE VARYING Column
  - Unexpected Bugcheck Generated When NOT LIKE Used With a Literal

# Rdb 7.3 Releases

- V7.3.1 - September 2013
- V7.3.1.1 - February 2014
  - Update 1, OCT, 2014
- V7.3.1.2 - October 2014
  - Update 1, October, 2014
  - Update 2, January, 2015
  - Update 3, February, 2015
- V7.3.1.3 – September, 2015
  - Update 1 – October, 2015
    - This includes the same patches as Update 3 for V7.3.1.2

# Rdb 7.3 Releases (Continued)

- V7.3.2 – March, 2016
  - Update 1, May, 2016
  - Update 2, September, 2016
  - Update 3, November, 2016
  - Update 4, March, 2017
- V7.3.2.1, March, 2017
  - Update 1, June, 2017
  - Update 2, September, 2017

# Sample of Problems Fixed in 7.3.x + Capabilities

- i4 (Poulson)
- Wrong Results
- Alignment Faults
- Bugchecks
- Log Miner
- Performance (Optimizer)
- RMU Show Statistics
- Sorted Ranked Index
  - e.g. Unexpected Bugcheck When Updating a SORTED
- Hot Standby

# Oracle Rdb 7.3.2.1 Available for Download

## Patch Details



### Patch 25682708: ORACLE RDB RELEASE 7.3.2.1.0 FOR OPENVMS ITANIUM

Last Updated Mar 16, 2017 8:13 AM (7+ hours ago)

Product Oracle Rdb Server on OpenVMS

Release RDB 7.3

Platform HP OpenVMS Itanium

Size 86.6 MB

Download Access Software

Classification General

Patch Tag

## Bugs Resolved by This Patch

List of bugs fixed is not available. Consult the Readme.

[View Related Knowledge to this Patch](#)



# Rdb 7.3.2.1 New Features and Enhancements

- Optimizer Min Max and Count Optimizations
- Truncate Table Enhancement
- New MEDIAN aggregate function added to SQL
- RMU/RECLAIM
- Error Messages Returned from a Remote Database Engine Can Be Logged
- RMU/SHOW AFTER\_JOURNAL [NO]CHECKPOINT Qualifier
- New RMU/BACKUP/AFTER\_JOURNAL [NO]SPACE\_CHECK Qualifier
- New Options to SET SQLDA Statement
- New RMU Set Statistics Command

# Optimizer Min Max and Count Optimizations

- Optimizer now uses Max lookup, Min lookup, and Count Scan optimizations when more than one MAX, MIN, COUNT occur in the query.
  - `select (max(salary_amount) - min(salary_amount)) as salary_range from salary_history`
- Previously neither Min key lookup nor Max key lookup would have been used.
- We now eliminate much lookup and cpu usage

# Truncate Table Enhancement

- Fast Logical Area Delete Algorithm
  - Applied with uniform storage areas (for mixed areas we have to walk the area and delete rows one by one)
    - Updates ABM (area bitmap) and SPAM (space management)
    - Leaves record (index or table) in place but marks pages are unused
  - For tables with LoBV columns must walk the table and collect pointers (dbkey) for list of segments
- Customer reported problem when trying to TRUNCATE a table with ½ millions rows and over 4 billion LoBV segments.
  - Performed excessive I/O to the table, RUJ and AIJ. It Never finished!
  - TRUNCATE TABLE must scan the table and erase the LIST column data. In V7.3.2 (or earlier) would exhaust VM (P0) space trying to cache dbkey table

# Truncate Table Enhancement(cont.)

- Revised Algorithm for Tables with LIST OF BYTE VARYING Columns
  - Table, index and list columns mapped to uniform areas now perform minimal I/O
  - The LIST column data is erased without the base table being updated. Therefore, only the LIST column data is written to the recovery journal(.ruj) and after image journal (.aij) files.
- V7.3.2.1 operation is now measured in seconds. Very little VM used.
- Also applied to DROP TABLE and ALTER TABLE ... DROP COLUMN.
- Note: Important the individual columns be mapped to their own (not shared) logical areas

# New Median Function

- This release of Oracle Rdb includes a new statistical function MEDIAN.
- MEDIAN returns the middle value of the set of ordered values for the group. If the number of values is an even number then the result is the linear interpolation between the two middle values. NULL values are excluded from the set of values used by MEDIAN and are not counted.
- Example:

– SQL> select employee\_id, count (\*), avg (salary\_amount) as avg edit using '-(7)9.9(2)', median (salary\_amount) as median from salary\_history where employee\_id in ('00165', '00188') group by employee\_id;

| EMPLOYEE_ID |    | AVG      | MEDIAN   |
|-------------|----|----------|----------|
| 00165       | 12 | 9313.17  | 9017.00  |
| 00188       | 2  | 21093.00 | 21093.00 |

2 rows selected

# RMU /Reclaim

- Use to reclaim free space by trimming the LDX and TDX structures on the page that reserve dbkeys
  - NB: DBKEY SCOPE IS ATTACH
- An online command but may abort due to contention
- Can Now Skip to the Next Spam Interval and/or Storage Area to Avoid Lock Contention
- New qualifiers
  - /PAGE\_SKIP\_LIMIT will abandon area if this % of pages skipped
  - /SPAM\_SKIP\_LIMIT will abandon area if this % SPAM ranges skipped
  - /RETRY\_TIME will retry if we had to abandon a storage area
- Allows better usage online when run in the background

# Engine Error Logging

- This feature allows error messages returned from a database engine on a remote server to be logged. Only non success messages are logged.
  - Several way to enable e.g. Define the logical RDB\$RDBSHR\_ENGINEERR\_LOG "ON"
- Example of an error report:

```
*** 17-MAY-2016 01:37:24.73: %RDB-E-ENGINEERR, The database engine has returned an error for client
15a250 connection 21                               %RDB-F-SYS_REQUEST, error from system services request
%RDMS-F-FILACCERR, error opening storage area file DISK1:[DATABASE]JOBS.SNP;1
***** Error while processing RCI_CLASS_REQ
```

# RMU/SHOW AFTER\_JOURNAL [NO]CHECKPOINT Qualifier

- RMU/SHOW AFTER\_JOURNAL [NO]CHECKPOINT qualifier can be used to request that all active database processes on all nodes perform a checkpoint
- Purpose is to ensure that all active AIJ operations use the current After Image Journal database symbols values defined in the database root.
  - The checkpoint will only be executed if the RMU/SHOW AFTER\_JOURNAL command /BACKUP\_CONTEXT qualifier is also specified and the database fast commit to journal feature is currently enabled
  - /Backup\_Context qualifier specifies that the following symbols be initialized (RDM\$AIJ\_BACKUP\_SEQNO, RDM\$AIJ\_COUNT, RDM\$AIJ\_CURRENT\_SEQNO, RDM\$AIJ\_ENDOFFILE, RDM\$AIJ\_FULLNESS, RDM\$AIJ\_LAST\_SEQNO, RDM\$AIJ\_NEXT\_SEQNO, RDM\$AIJ\_SEQNO)
  - A global checkpoint will be executed before the global symbols that start with 'RDM\$AIJ\_' are defined or modified.



# RMU/BACKUP/AFTER\_JOURNAL [NO]SPACE\_CHECK

- Avoids aborting due lack of space at the backup file creation time or while the backup is in progress
  - A fatal %RMU-F-FILACCERR error is output followed by the RMS-F-FUL error returned by OpenVMS and the backup operation is terminated.
- Based on a snapshot of the current target disk free space
- Examples:
  - %RMU-F-FILACCERR, error creating AIJ backup file DEVICE:[DIRECTORY]BACKUP\_AIJ.AIJBCK;1  
-RMS-F-FUL, device full (insufficient space for allocation)
  - %RMU-F-FILACCERR, error writing to backup file DEVICE:[DIRECTORY]BACKUP\_AIJ.AIJBCK;1  
-RMS-F-FUL, device full (insufficient space for allocation)

## Rdb 7.3.2.1 Bugs Fixed

- Unexpected Error when Using Multischema Domain Reference
- Unexpected USERNAME Written to After Image Journal for Notational Record
- RMU Unload After\_Journal Now Detects Attempt to Unload Vertically Partitioned Table
- DBR Fails to Write START\_TAD Record For Logminer
- HANG ON 7.3.2 When Using Translate and UTF8
- Unexpected Query Failure of INVALID\_BLR when Using GROUP BY
- New Information Table RDB\$SESSION\_PRIVILEGES Now Available
- Unexpected COSI-F-VASFULL Error when TRUNCATE Used on Table with LIST Columns

## Rdb 7.3.2.1 Bugs Fixed (cont.)

- Wrong Results from Statistical Functions MAX
- Wrong result in COUNT (expr) Function Using Multi-Segment Index
- Unexpected Bugcheck when Updating a SORTED RANKED Index
- Remote Connections No Longer Does Retry Using Old Protocol

## Rdb 7.3.2.1 Update 1, June, 2017

- Fixed a problem where the distribution of List of Byte Varying (Blob) data across partitioned storage areas was incorrectly favoring the first storage area.
  - The FILL RANDOMLY clause of the LIST storage map would not distribute LIST OF BYTE VARYING columns uniformly.
- Fixed a problem where multiple bugchecks were occurring from SELECT using MIN and MAX functions.
- See MOS Patch 26273409 for Itanium
- See MOS Patch 26273393 for Alpha

## Rdb 7.3.2.1 Update 2, September, 2017

- Unexpected RDB-E-BAD\_DPB\_CONTENT Error During Database ATTACH
  - Third party application was passing an illegal value in the database parameter block
  - Error was now being caught by Rdb V7.3 and later versions
- Possible Wrong Results From Partitioned Indices
  - From a query when using constant complex value expressions for the selection criteria that matched index columns used for partitioning.
- See MOS Patch 26820763 for Itanium
- See MOS Patch 26820751 for Alpha

## Rdb 7.3.2 Update 4, March, 2017

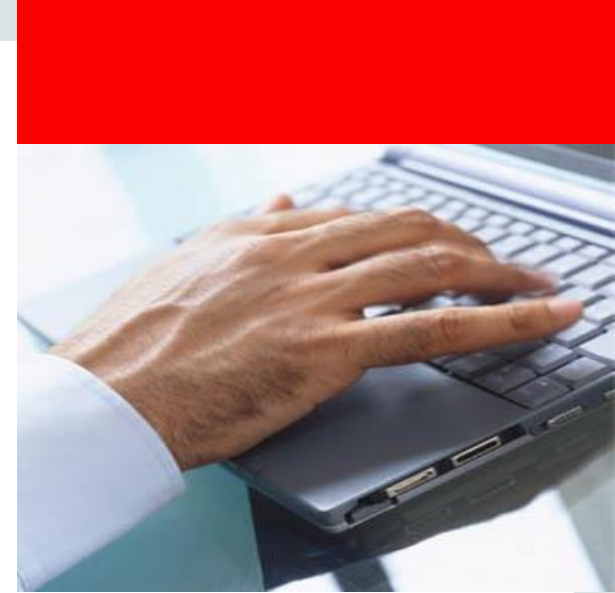
- Fixed a problem where the distribution of List of Byte Varying (Blob) data across partitioned storage areas was incorrectly favoring the first storage area.
  - The FILL RANDOMLY clause of the LIST storage map would not distribute LIST OF BYTE VARYING columns uniformly.
- See MOS Patch 25800744 for Itanium
- See MOS Patch 25800717 for Alpha

# Rdb 7.3.2, Documentation Update

- Rollup release notes to RDB\_NEWFEATURES document
  - Included on each kit (.pdf, .txt, .ps)
  - SYS\$HELP:RDB\_NEWFEATURES\_73xx.PDF
- Rollup new features into documentation
  - Revised SQL Reference Manual \*\* Released September, 2016!
  - Revised RMU Reference Manual \*\* Released September, 2016!
- Generated new HELP for RMU and SQL
- New RMU/SHOW LOGICAL support
  - Documents logical names

# Connectivity: Most Recent Releases

- Oracle SQL/Services
- OCI Services for Oracle Rdb
- Oracle ODBC Driver for Rdb
- Oracle JDBC for Rdb
- Oracle Rdb Connectivity Management
- Oracle Rdb Developer Tools for Visual Studio





# Oracle SQL/Services 7.3.2.3, March, 2017

- New and Changed Features for Oracle SQL/Services Client API
  - Sample Application Enhanced to Supply Alternate TCPIP Port
  - The kit is available on MyOracleSupport as patchset numbers 25690909 (HP-UX 64-bit), 25690917 (Linux 32-bit), 25690927 (Linux 64-bit), 25690929 (Microsoft Windows 32-bit) and 25690939 (Microsoft Windows 64-bit).
- New and Changed Features for OCI Services for Oracle Rdb
  - Add SESSION\_PRIVS to OCI Services Tables
  - Computed Select Item Names
- Software Errors Fixed in OCI Services for Oracle Rdb
  - Incorrect Values Sometimes Stored in Date Columns
  - Update Across a Dblink ORA-01861: Literal Does Not Match Format String
  - ORA-03115 Returned After an UPDATE...RETURNING Statement
  - Wrong Values Inserted When Using Bind Variables and Scaled Integers
  - Alter Session Set NLS\_TIMESTAMP\_FORMAT Not Working if Called From Init File

# Oracle ODBC Driver for Rdb 3.3.2.5, April, 2017

- Memory allocation failures and invalid results returned if API call includes the "REMARKS" column
- Incorrect value returned for SQLGetInfo(SQL\_FORWARD\_ONLY\_CURSOR\_ATTRIBUTES2)
- SQLGetDiagField (SQL\_DIAG\_CURSOR\_ROW\_COUNT) now returns SQL\_SUCCESS with a value of -1 instead of SQLError
- SQLGetDiagField no longer returns -100 on record 0
- SQLGetDiagField now returns a 64 bit result as needed for SQL\_DIAG\_CURSOR\_ROW\_COUNT and SQL\_DIAG\_ROW\_COUNT

# Oracle ODBC Driver for Rdb – Prior Releases

- 3.3.2.4, October, 2014
- 3.3.2.3, April, 2012
- 3.3.2.2, November, 2011
- 3.3.2.1, April, 2011
- Supported Windows
  - Windows 32bit
    - Windows 7, XP, Vista, Server 2008, Server 2003, 2000,
  - Windows 64bit
    - Windows 7 XP, XP X64, Vista X64, Server 2008 X64, Server 2003 X64

# Oracle JDBC for Rdb 7.3.5, August, 2017

- Download from My Oracle Support
  - Patch 26630544 for Itanium
  - Patch 26630533 for Alpha
- Features
  - JAVA 8.0 support on Integrity Systems
  - Versioned JDBC driver jars
  - Change in SQL/Services JDBC Dispatcher naming
  - Changes to SHIFT\_JIS JAVA encodin
- Bug Fixes:
  - Small Memory leak with GetTables()
  - DEFAULTSSL definition not inherited
  - Incorrect value for Client and Executor Free Shared Memory

# ORCM 7.3.2, August, 2017

- Download from My Oracle Support

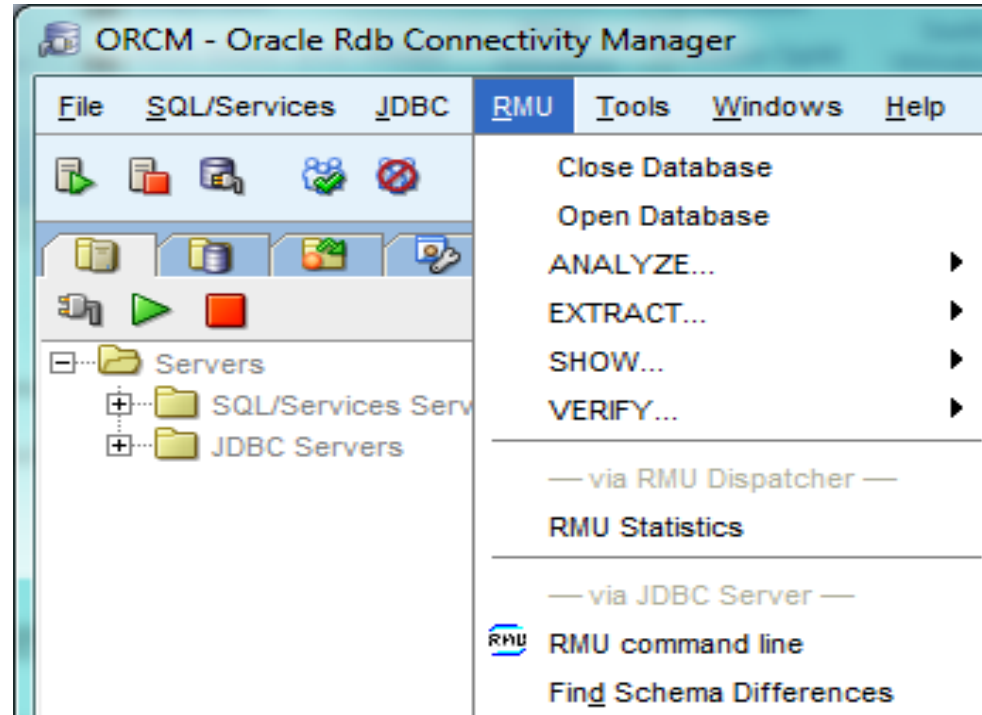
- Patch 26667279 for Windows
- Patch 26667304 for Generic Kit

- Features

- New RMU Menu category
- RMU Statistics
- Find Schema Differences
- External Tool Enhancements

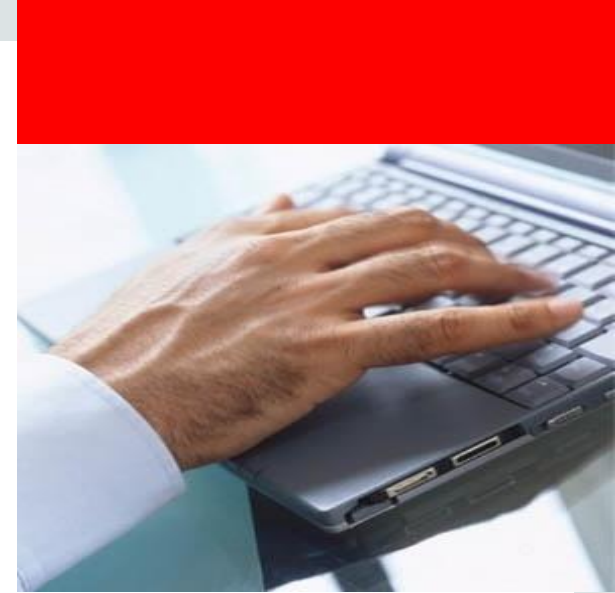
- Bug Fixes:

- Small Memory leak with GetTables()
- DEFAULTSSL definition not inherited
- Incorrect value for Client and Executor Free Shared Memory



# Oracle Rdb Developer Tools for Visual Studio

- 7.3.4, June, 2015
  - Available for download from My Oracle Support
    - Patch 21313157
    - Also available on OTN at:  
<http://www.oracle.com/technetwork/database/database-technologies/rdb/downloads/othersoft-087176.html>.
  - Features:
    - Visual Studio 2015, 2013 Integration
    - Entity Framework 6 Supported
    - Entity Framework fluent API Supported



# Other Oracle Rdb Family Products: Latest Versions

- Oracle CDD/Repository
- Oracle Rdb Extension for SQL Developer



# Oracle CDD/Repository 7.2.0.6.0, July, 2015

- Available on My Oracle Support
  - Patch 21488004 for Itanium
  - Patch 21488027 for Alpha.
- Problems Fixed:
  - Problem when changing a relation with constraints when on OpenVMS 8.4-1H1 Systems.



# Oracle Rdb Extension for SQL Developer Release 7.3.2.0, December, 2015

- Download from My Oracle Support
  - Patch 22294391
- Features
  - Allows you to run with SQL Developer 4.1.2
- Requirements:
  - Oracle JDBC for Rdb release 7.3.4.0.4

# Oracle Rdb: What's Under Development

# Oracle Rdb 7.3.3

- Functional release
- Changes are the focus of Ian's first talk

# Database Vault

- Changes the way Rdb handles OpenVMS privileges
- ALTER DATABASE ...  
DATABASE VAULT IS ENABLED;
- Requires SECURITY privilege to enable
- No longer inherit overrides from current system user
- **\*WARNING\*** Ensure there is a SECURITY user defined in the database because once DATABASE VAULT is enabled you can not use a OpenVMS privilege to change it externally

# Oracle SQL/Services and OCI Services 7.3.3.0

- Support for Oracle 11g Libraries and Oracle 11g Oracle Net Protocol
- OCI Authentication Today
  - Currently users are defined in the USER\$ table
  - We store an encoded password (different encoding to that used by OpenVMS and LDAP servers)
  - This password is used to authenticate with the Oracle server
  - RDB\$NATCONN\_CUPP Utility used to add, modify, remove, and show users enabled for OCI access and to sync with updated VMS passwords
- OCI Authentication with LDAP
  - Specify the password "GLOBAL", indicates (as it does for Oracle users) that authentication will be done using LDAP
  - Users with the password "GLOBAL" in the USER\$ table will be authenticated using the LDAP directory defined in LDAPACME\$INIT, the same LDAP directory used by Rdb for external authentication

# Oracle CDD/Repository 7.3.0

- Customer Driven Enhancements
  - Adding Rdb SQL Features not Previously Supported:
    - Can now integrate into CDD a database that has been prepared for OCI Services
    - Coalesce
      - returns the first non-NULL value from a series of value expressions; otherwise, returns NULL
    - Other capabilities to be added based on demand

# Oracle CODASYL DBMS 7.3.2.0 – New Features

- New /FLUSH\_INTERNAL qualifier for DBO/SHOW STATISTICS
- Updated DBO/HELP
- New DML syntax for IEEE S-FLOAT and T-FLOAT
- Add /UNTIL to DBO/CHECKPOINT command
- /[[NO]EXPORT\_STATISTICS for DBO/CLOSE.
- ADD /ATTRIBUTES for DBO/MOVE and DBO/COPY
- Remove DBMS LMF checks from KITINSTAL.COM
- NEW /NOAFTER\_JOURNAL qualifier on DBO/RECOVER
- DBO/RECOVER Feature to Alter Storage Area, AIJ and Row cache Directories
- DBO/RECLAIM Can Now Skip to the Next Spam Interval
- DBO/SHOW LOGICAL\_NAME now supports /DESCRIPTION qualifier

# Oracle CODASYL DBMS 7.3.2.0 - New Features (cont.)

- DBO/SET  
SHARED\_MEMORY/SECTION\_NAME



# Oracle CODASYL DBMS 7.3.2.0 – Bug Fixes

- Fix DBO/VERIFY IA64 alignment faults.
- Bugcheck at DIOFETCH\$FETCH\_SNAP\_SEG
- DBMDBRBUG Bugcheck at RUJUTL\$BIJBL\_GET\_FORWARD + 1E0
- DBO/SHOW STATISTICS Playback Zeroed Final Transaction Duration
- Field help missing for some DBO/SHOW Statistics fields
- Possible Misleading Messages From DBO/RECOVER/JUST\_CORRUPT
- DBO/BACKUP/MULTITHREAD Did Not Output the VMS RMS STV Status for Errors Opening Storage Areas
- Lack of LRS reply status on HOT STANDBY shutdown
- Master ALS Restart Does Not Resume Updating Standby Database
- RMU/RECOVER Bugcheck Dump Caused by OpenVMS SYSTEM-W-NONLOCAL
- MONITOR BUGCHECKS WHEN RUNNING DBO/CLOSE/STAT=EXPORT

# Oracle Message Queue Update

- OMQ 5 on OpenVMS 8.4-2 (IA) Certified (August, 2016)

- See

[http://docs.oracle.com/cd/E17973\\_01/platforms/mqplatforms/mqplats/mqplats.html#wp1087062](http://docs.oracle.com/cd/E17973_01/platforms/mqplatforms/mqplats/mqplats.html#wp1087062)

QUESTIONS  
&  
ANSWERS

# Training Partner List

- **Europe, Asia, Middle East and Africa**

- VX Company

- Baarn, The Netherlands

- <http://www.vxcompany.com/rdbtrainingcourses>



- **Americas**

- JCC Consulting, Inc.

- Granville, Ohio, United States

- <http://www.jcc.com/>



- **Oracle CODASYL DBMS Worldwide**

- Software Concepts International

- Nashua, New Hampshire, United States

- <http://www.sciinc.com/>



ORACLE®